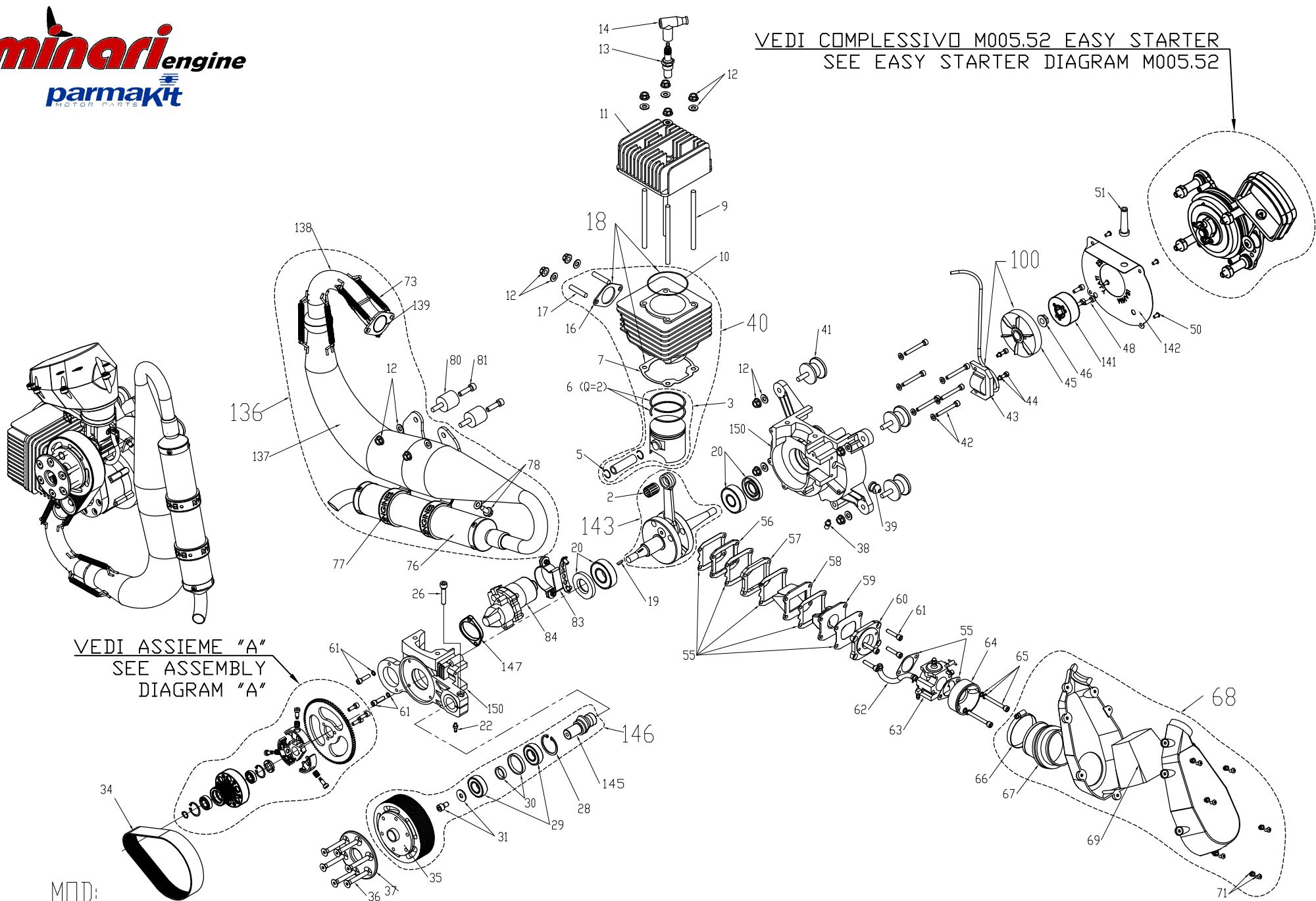


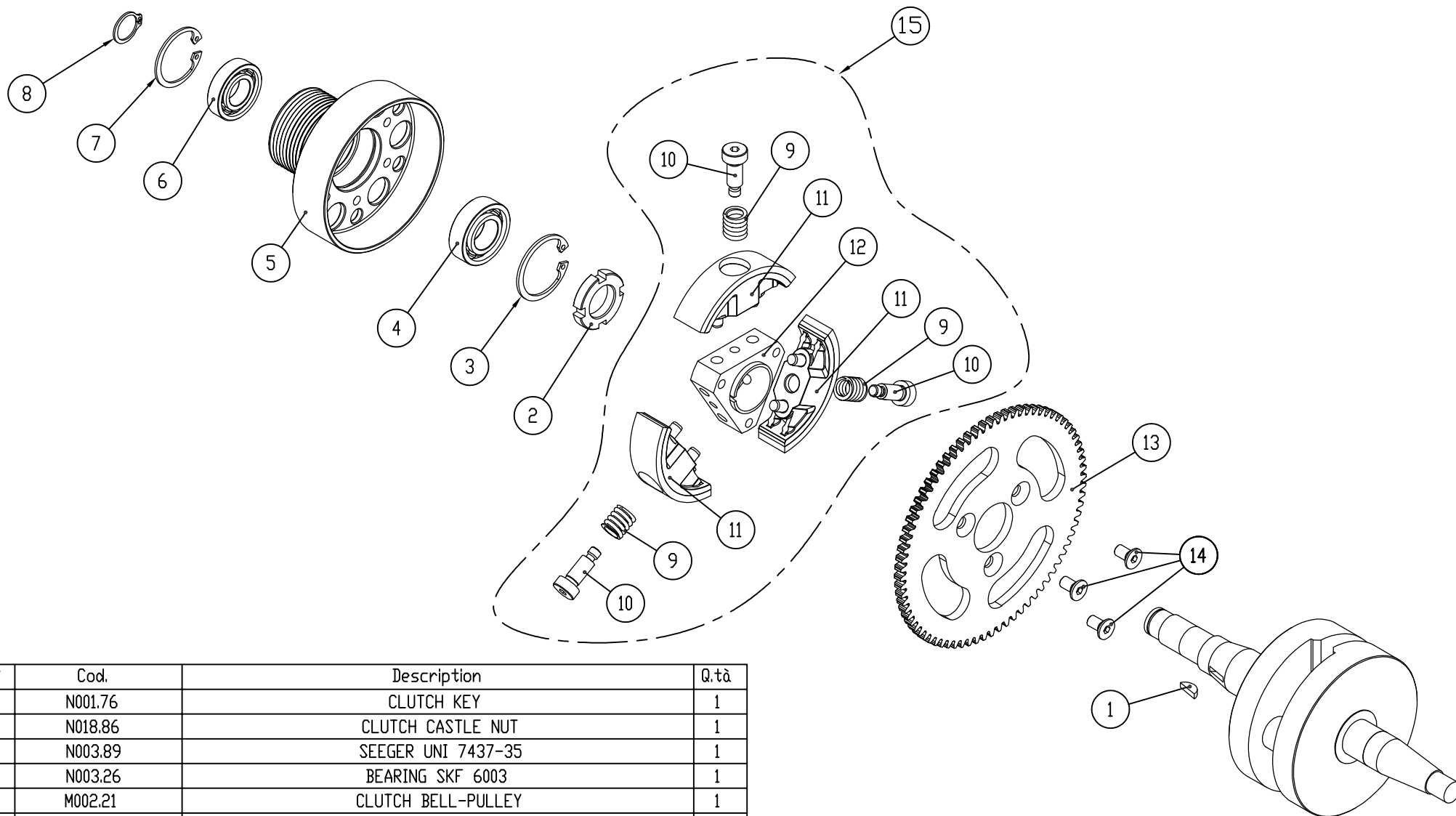
VEDI COMPLESSIVO M005.52 EASY STARTER  
SEE EASY STARTER DIAGRAM M005.52



VEDI ASSIEME "A"  
SEE ASSEMBLY  
DIAGRAM "A"

MOD:

-F1-ME9-F Motore a 90°, avviamento manuale + elettrico senza carica batteria, con frizione /  
90° engine, manual + electric starter w/out battery charge, with clutch



N°	Cod.	Description	Q.tà
1	N001.76	CLUTCH KEY	1
2	N018.86	CLUTCH CASTLE NUT	1
3	N003.89	SEEGER UNI 7437-35	1
4	N003.26	BEARING SKF 6003	1
5	M002.21	CLUTCH BELL-PULLEY	1
6	N004.26	BEARING SKF 16002	1
7	N002.89	SEEGER UNI 7437-32	1
8	N004.89	SEEGER UNI 7435-15	1
9	57012.18	SPRING	3
10	N019.86	BOLT M6x16	3
11	N005.21	CLUTCH SHOES	3
12	N004.21	HOLDER CLUTCH SHOES	1
13	N003.83	STEEL GEAR	1
14	N022.86	BOLT M6x12	3
15	N011.21	COMPLETE CLUTCH ASSEMBLED - ELECTRIC VERSION	1

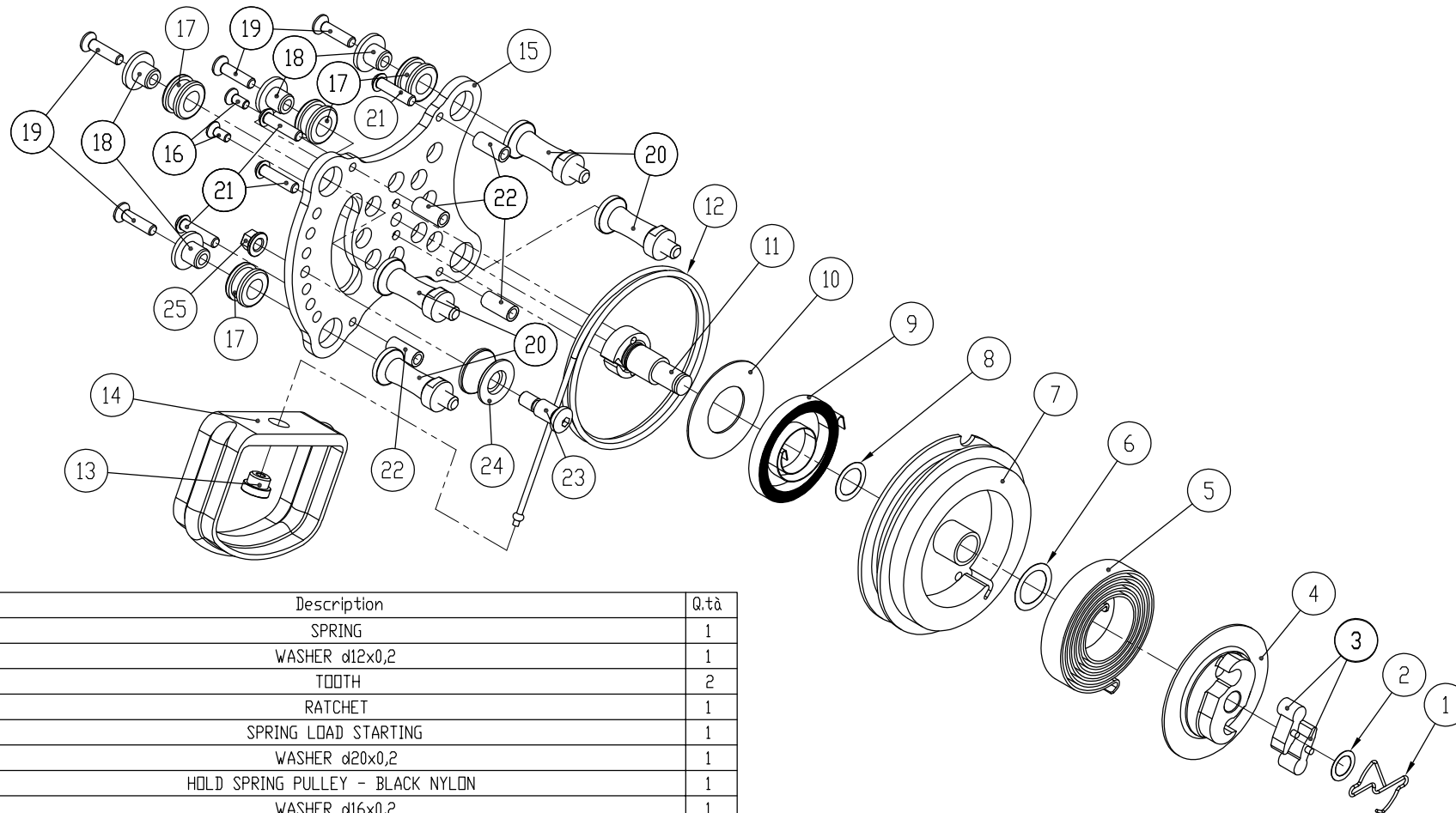
  
 DISEGNI DI PROPRIETÀ  
 THIS DRAWING IS PROPERTY OF PARMAKIT AND SHALL NOT BE COPIED IN ANY WAY WITHOUT THE WRITTEN AUTHORISATION OF THE COMPANY

A TERMINI DI LEGGE È VIETATO RIPRODURRE O COMUNICARE A TERZI IL CONTENUTO DEL PRESENTE DISEGNO



Strada Antolini, 18/C 43044 Lemignano di Collecchio - Parma - Italia  
 tel. +39.0521.303413 - fax +39.0521.543379  
 E mail: info@parmakit.com - www.parmakit.com

NAME	SIGNATURE	DATE	DESCRIPTION	TITLE:
DRAWN		05-06-19		EXPANDED DIAGRAM CLUTCH F1 ELECTRIC STARTER
VERIFIED			QUANTITY:	
APPROVED			MATERIALE:	
DONE			N. DRAW	
QUALITY			WEIGHT: _	ASSEMBLY "A"
			SCALE:0:2	A3
				Foglio 1 di 1



N°	Cod.	Description	Q.tà
1	N018.98	SPRING	1
2	R/SP.12x16x0,2	WASHER d12x0,2	1
3	N017.98	TOOTH	2
4	N009.19	RATCHET	1
5	N004.13	SPRING LOAD STARTING	1
6	R/SP.20x28x0,2	WASHER d20x0,2	1
7	N006.19	HOLD SPRING PULLEY - BLACK NYLON	1
8	R/SP.16x22x0,2	WASHER d16x0,2	1
9	M001.13/SC	SPRING	1
10	N012.98	PVC SPACER	1
11	N015.98	SPRING HOOK	1
12	N004.79	ROPE	1
13	N016.98	GRIP NUT	1
14	M003.52	STARTER GRIP	1
15	N017.96	EASY STARTER 2 SUPPORT	1
16	N011.86	BOLT M5x12	2
17	N003.47	SILENT BLOCK	4
18	N023.98	BOLT SPACER	4
19	N021.98	BOLT M6x25	4
20	N007.98	SPACER	4
21	N022.98	BOLT M6x25	4
22	N006.41	RUBBER TUBE	4
23	N017.86	BOLT PULLEY EASY STARTER	1
24	N008.98	DRIVE PULLEY EASY STARTER	1
25	N020.98	NUT PULLEY EASY STARTER	1

  
 DISEGNO DI PROPRIETÀ  
 THIS DRAWING IS PROPERTY OF PARMAKIT AND SHALL NOT BE COPIED IN ANY WAY WITHOUT THE WRITTEN AUTHORISATION OF THE COMPANY

A TERMINI DI LEGGE È VIETATO RIPRODURRE O COMUNICARE A TERZI IL CONTENUTO DEL PRESENTE DISEGNO  
 WITHOUT THE WRITTEN AUTHORISATION OF THE COMPANY



Strada Antolini, 18/C 43044 Lemignano di Collecchio - Parma - Italia  
 tel. +39.0521.303413 - fax +39.0521.543379  
 E mail: info@parmakit.com - www.parmakit.com

NAME	SIGNATURE	DATE	DESCRIPTION	TITLE
DRAWN		05-06-19		EXPANDED DIAGRAM EASY STARTER S WITH PLATE
VERIFIED			QUANTITY:	
APPROVED			MATERIAL:	
DONE				
QUALITY			WEIGHT: _	N. DRAW
				M005.52
				A3
				SCALE:02:5
				FOLIO 1 DI 1